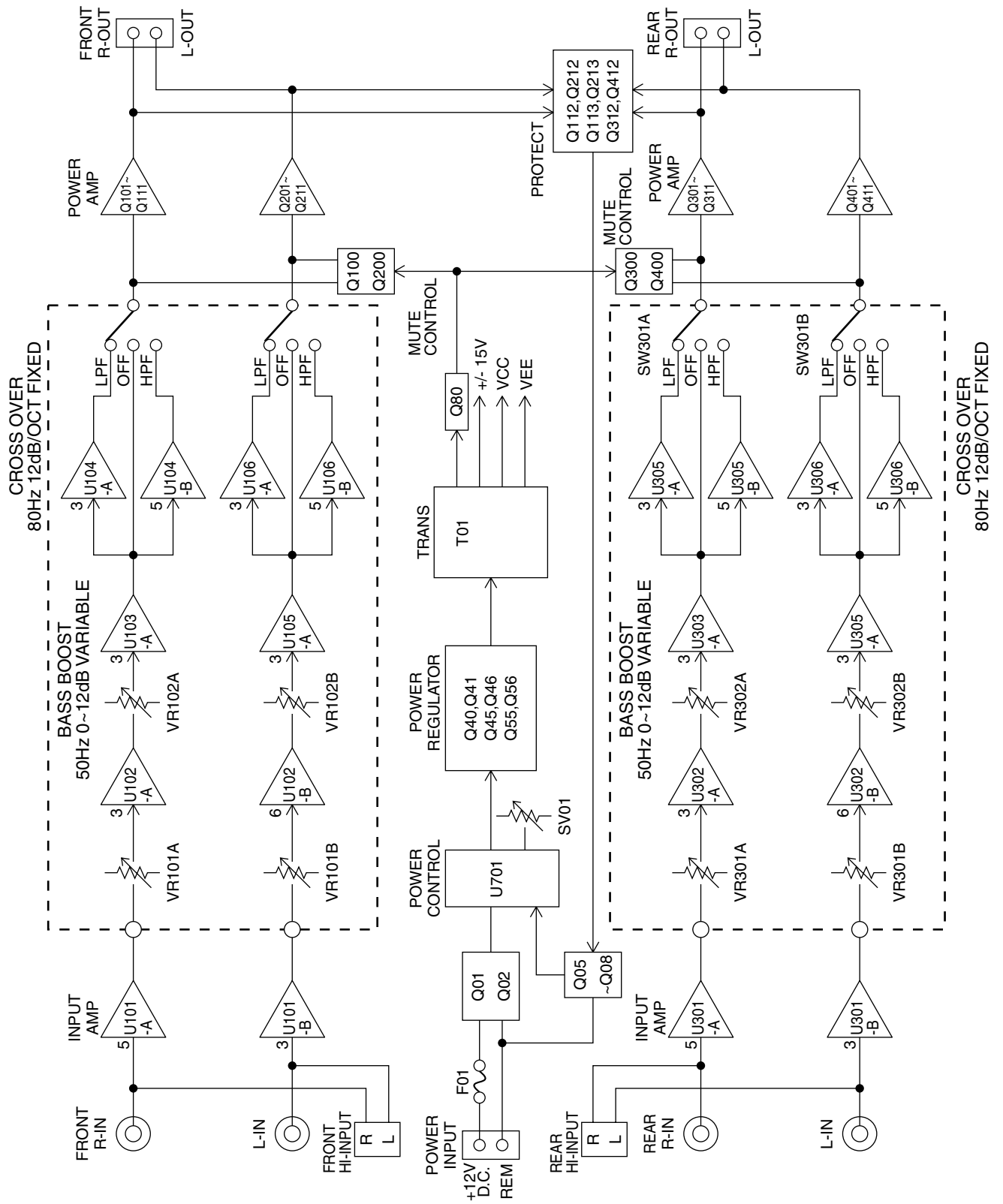


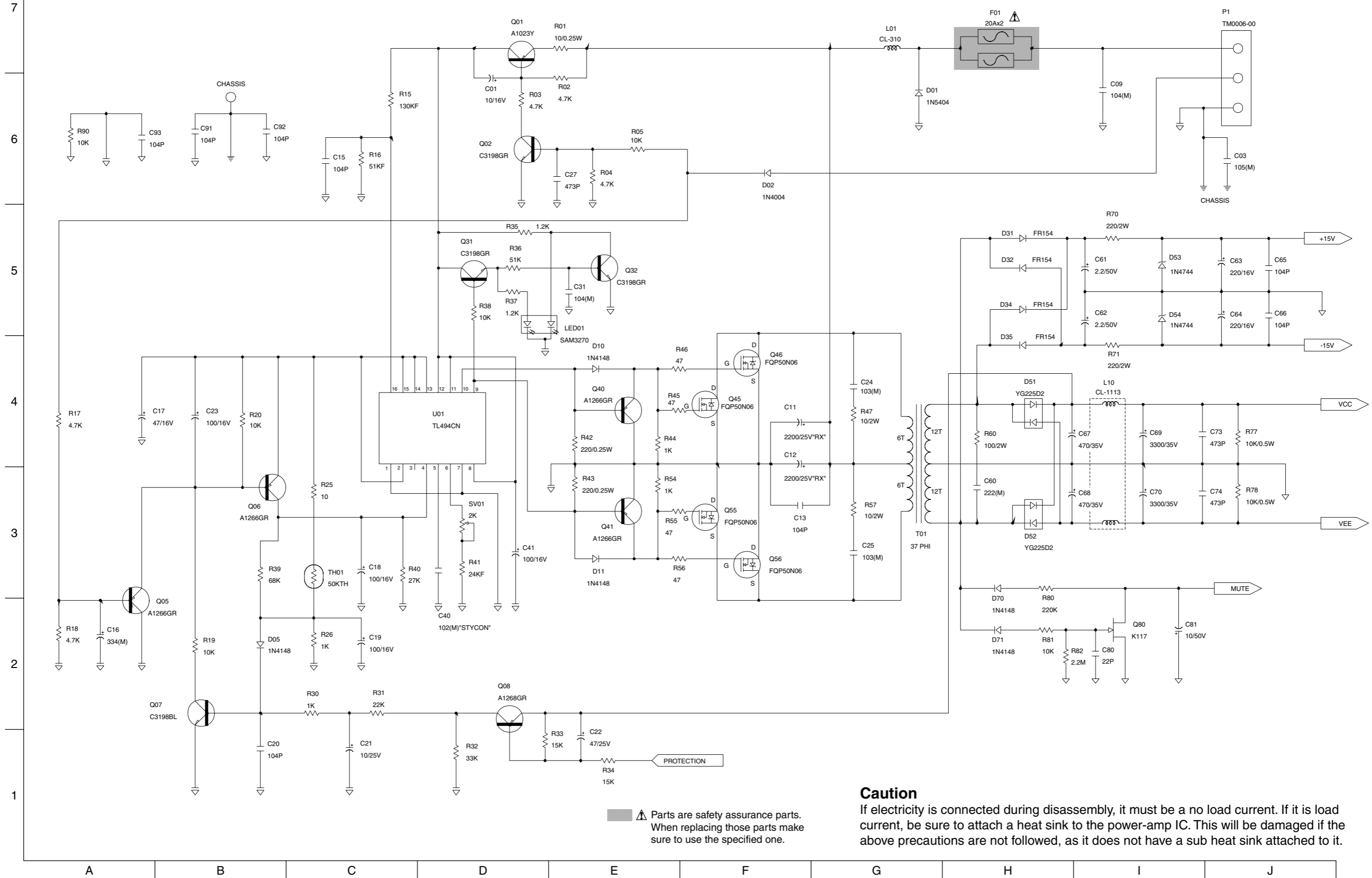
Circuit block diagram



— MEMO —

Standard schematic diagrams

MAIN PCB [1/3] and SUB PCB circuit diagrams

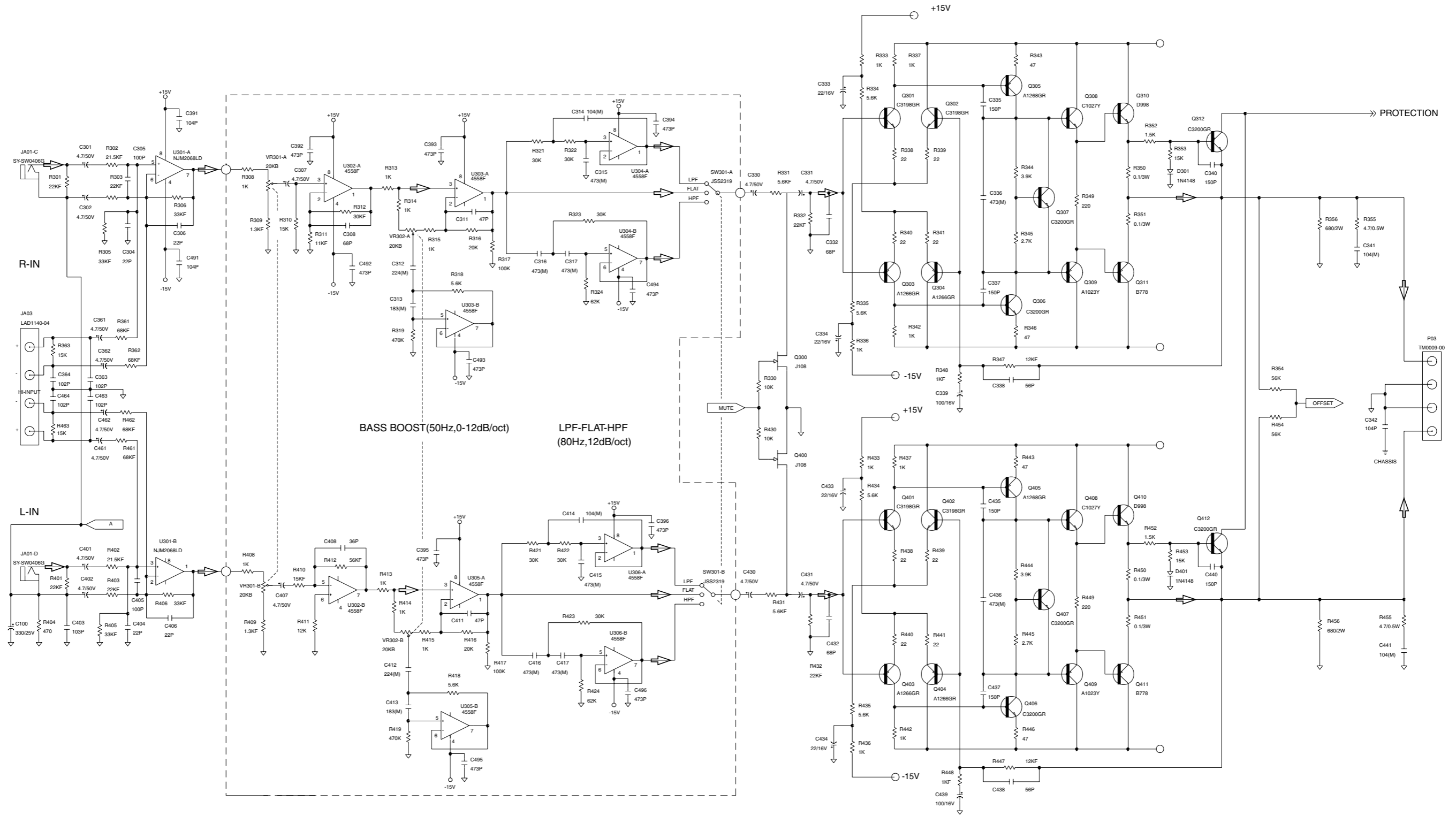


⚠ Parts are safety assurance parts. When replacing those parts be sure to use the specified one.

Caution
If electricity is connected during disassembly, it must be a no load current. If it is load current, be sure to attach a heat sink to the power-amp IC. This will be damaged if the above precautions are not followed, as it does not have a sub heat sink attached to it.

MAIN PCB [2/3] and SUB PCB circuit diagrams

7
6
5
4
3
2
1

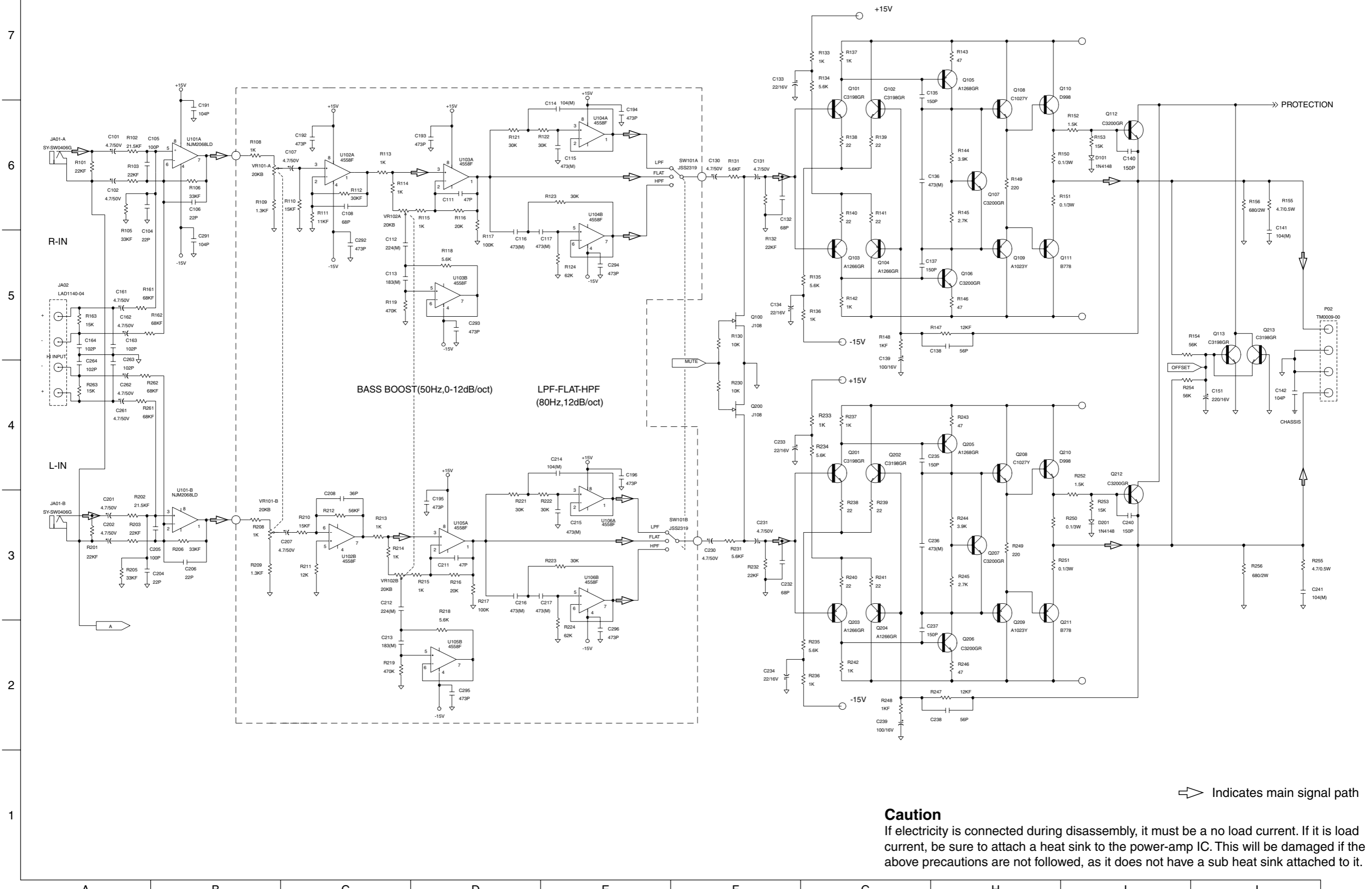


➔ Indicates main signal path

Caution
If electricity is connected during disassembly, it must be a no load current. If it is load current, be sure to attach a heat sink to the power-amp IC. This will be damaged if the above precautions are not followed, as it does not have a sub heat sink attached to it.

A B C D E F G H I J

MAIN PCB [3/3] circuit diagrams



⇒ Indicates main signal path

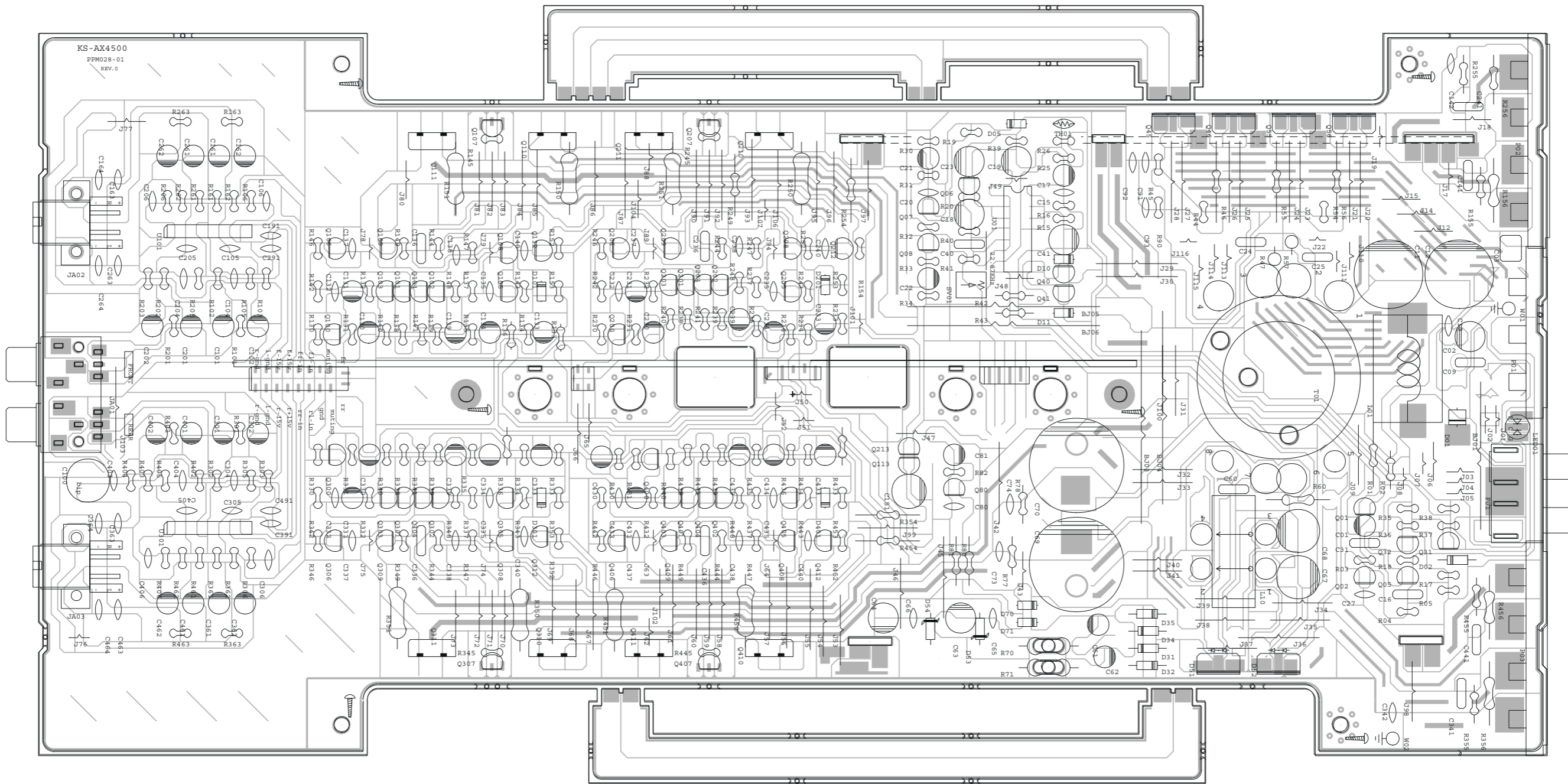
Caution
 If electricity is connected during disassembly, it must be a no load current. If it is load current, be sure to attach a heat sink to the power-amp IC. This will be damaged if the above precautions are not followed, as it does not have a sub heat sink attached to it.

Printed circuit boards

■ MAIN PCB

Surface side view

7
6
5
4
3
2
1

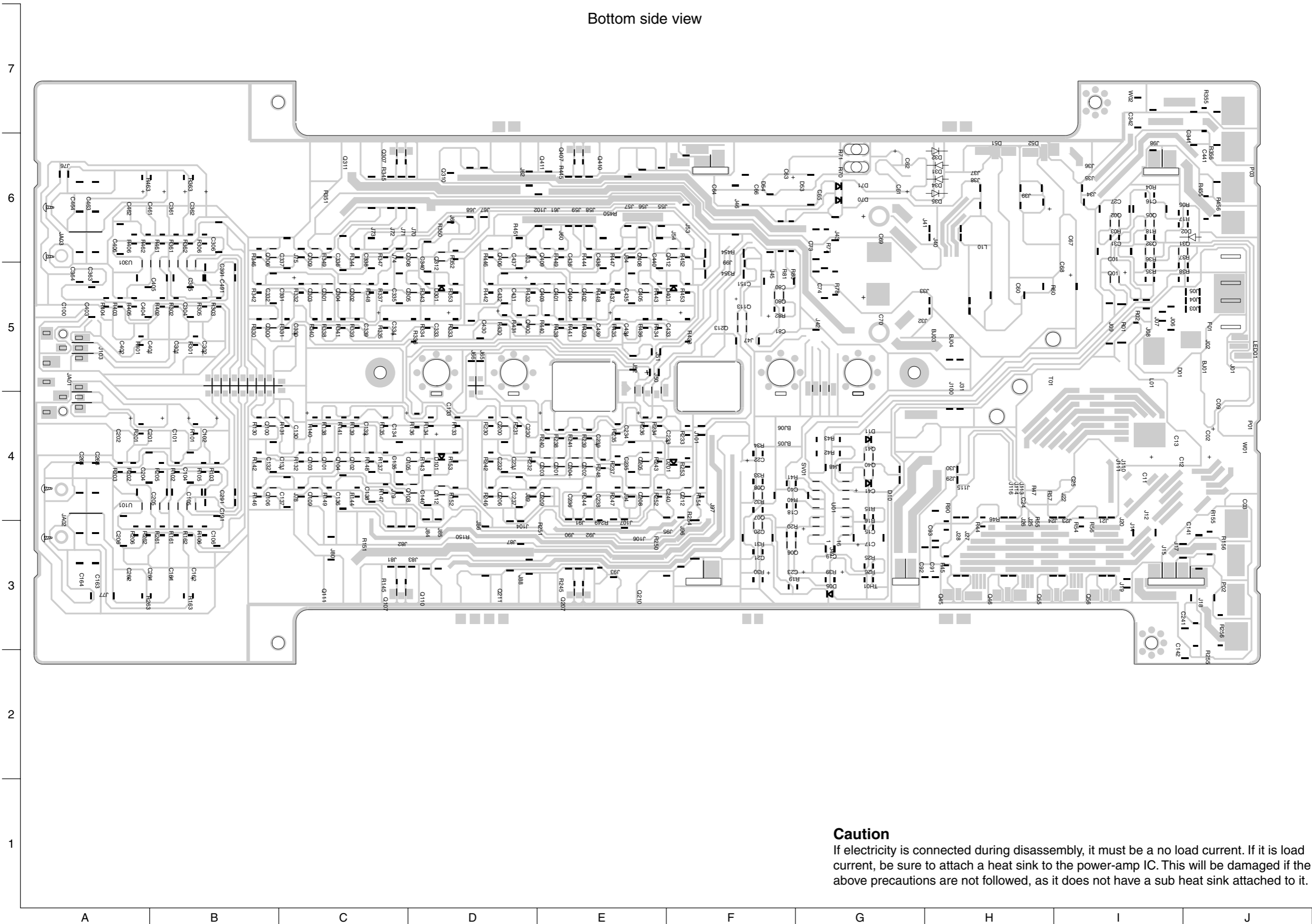


A B C D E F G H I J

Caution

If electricity is connected during disassembly, it must be a no load current. If it is load current, be sure to attach a heat sink to the power-amp IC. This will be damaged if the above precautions are not followed, as it does not have a sub heat sink attached to it.

Bottom side view

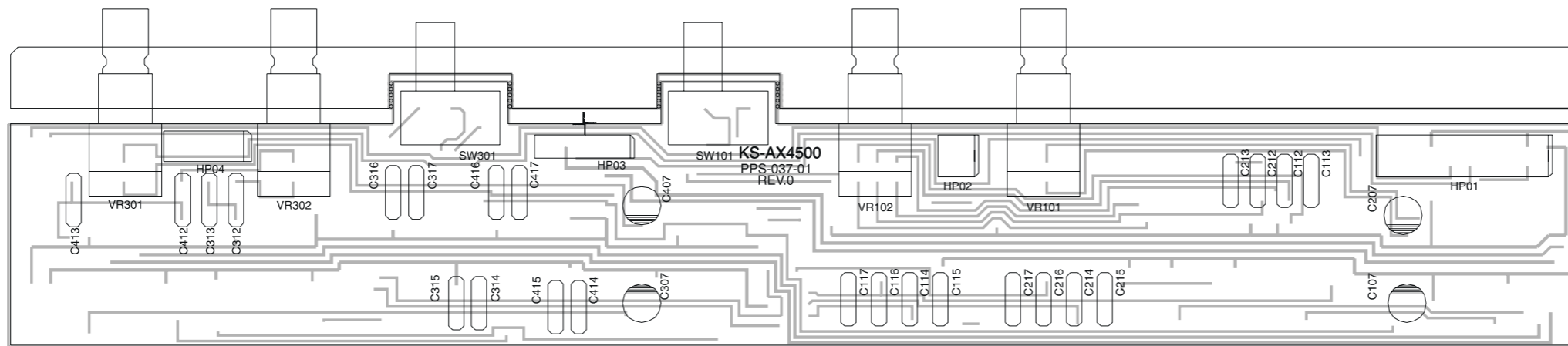


Caution

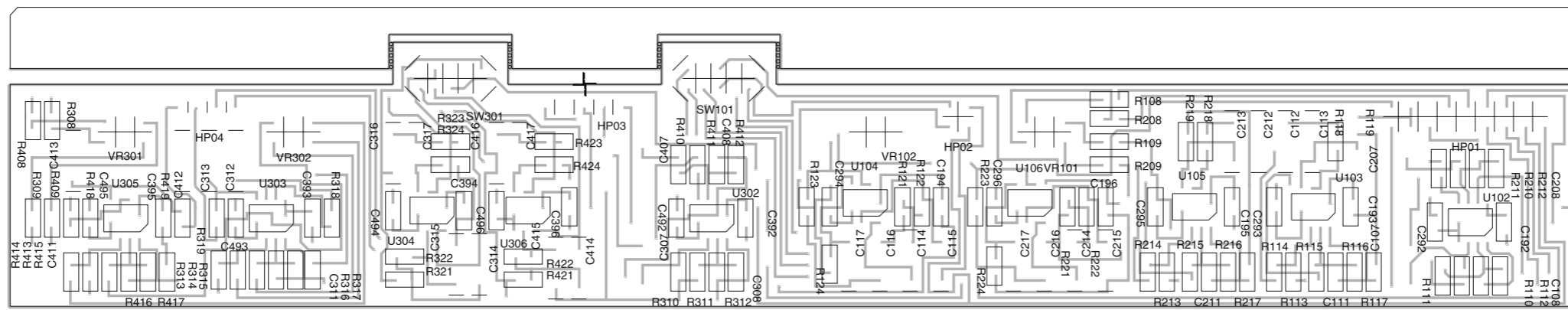
If electricity is connected during disassembly, it must be a no load current. If it is load current, be sure to attach a heat sink to the power-amp IC. This will be damaged if the above precautions are not followed, as it does not have a sub heat sink attached to it.

■ SUB PCB (Volume board)

Surface side view



Bottom side view



Caution

If electricity is connected during disassembly, it must be a no load current. If it is load current, be sure to attach a heat sink to the power-amp IC. This will be damaged if the above precautions are not followed, as it does not have a sub heat sink attached to it.